

Recipio '14 console

COMPLEMENTS

2014

Antonio Citterio



Description

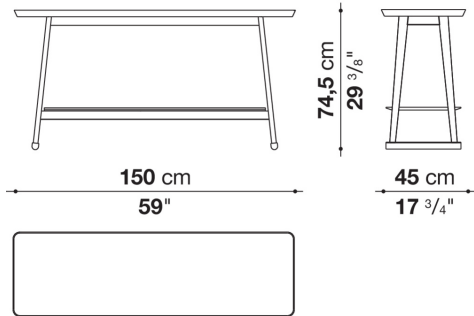
The Recipio '14 console is characterised by a tripod frame in solid beech and by a Baydur® structural polyurethane foam top marked by soft lines and a tray-shaped design. This plain colour console is in a variety of hues.

Technical information

Top
solid wood, veneered wood particles panel
Lower top (LXC10)
MDF wood fibre panel
Support frame
solid wood
Crosspiece protection
steel profile
Ferrules
felt

Technical drawings

LXC10



LXC20

