

# LASVIT Technical Sheet

---

## FLUX COLLECTION

**DESIGNER:** ED Ng & Terence Ngan

**YEAR OF DESIGN:** 2017

**Glass:** Hand blown glass

Each lamp is hand-blown using a metal mold to provide its unique appearance. The clear top meets with inner and outer hand-painted gold and platinum layers, referencing the decoration of traditional Asian ceramics. Its organic lines trap and refract light between the layers to create a deep radiance and the impression of water in motion.



---

### PACKAGING

#### **Flux floor lamp**

Size: 550 × 365 × 350 mm

Size: 200 × 200 × 800 mm

Pallet: 8×

Total weight: 15 kg

#### **Flux wall sconce**

#### **Table lamp**

Size: 550 × 365 × 350 mm

Pallet: 8 ×

Total weight: 15 kg

---

# LASVIT Technical Sheet

## FLUX COLLECTION

### TECHNICAL DETAILS FLUX TABLE LAMP

Type	CE/UL
Light source	LED module 16W/24VDC 2700K Lm 2300 CRI 90 dimmable
Input voltage	24VDC
Rated power	16W
Primary material	aluminium alloy – anodized – transparent
Cabel lenght	2000mm/78¾"
Cord color	black textile cabel
Prot. rating	IP 20
Safety class	CLASS II

# LASVIT Technical Sheet

---

## FLUX COLLECTION

---

### TECHNICAL DETAILS FLUX FLOOR LAMP

---

Type	CE/UL
Light source	LED module 16W/24VDC 2700K Lm 2300 CRI 90 dimmable
Input voltage	24VDC
Rated power	16W
Primary material	aluminium alloy – anodized – transparent
Cabel lenght	4000mm/157½"
Cord color	black textile cable
Prot. rating	IP 20
Safety class	CLASS II

# LASVIT Technical Sheet

## FLUX COLLECTION

### TECHNICAL DETAILS FLUX WALLSCONCE

Type	CE	UL
Light source	1 × LED E27, 4W, 2600K A19 silver crown CRI 90, Lm 250 dimmable	1 × LED E26, 6,5W, 2700K A19 Silver crown CRI 80, Lm 650 Dimmable
Input voltage	230V	120V
Rated power	4W	6,5W
Primary material	polished stainless steel	
Prot. rating	IP 20	
Safety class	CLASS I	

# LASVIT Technical Sheet

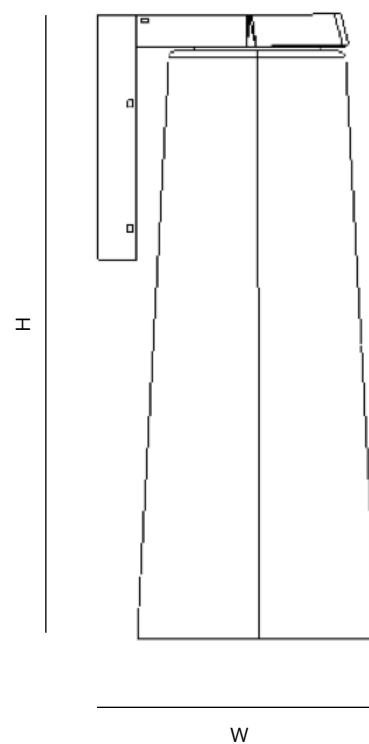
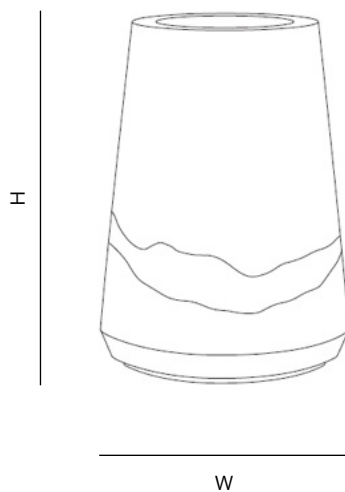
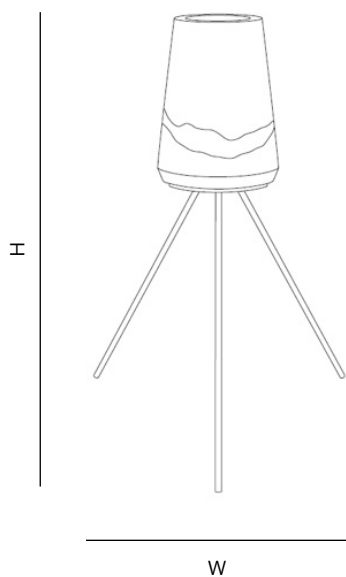
## FLUX COLLECTION

### TECHNICAL DRAWING

**Flux table lamp**

**Flux floor lamp**

**Flux wall sconce**



<b>Name</b>	<b>H (mm/inch)</b>	<b>W (mm/inch)</b>
<b>Flux table lamp</b>	380/14 <sup>13</sup> / <sub>16</sub> "	265/5 <sup>3</sup> / <sub>8</sub> "
<b>Flux floor lamp</b>	985/38 <sup>3</sup> / <sub>4</sub> "	645/25 <sup>1</sup> / <sub>16</sub> "
<b>Flux wall sconce</b>	350/13 <sup>3</sup> / <sub>4</sub> "	W 265/10 <sup>7</sup> / <sub>16</sub> " × L 160/6 <sup>3</sup> / <sub>16</sub> "

# LASVIT Technical Sheet

<b>Name</b>	<b>Glass color</b>	<b>Item ID – CE</b>	<b>Item ID – UL</b>	<b>Weight (approx.)</b>
<b>Flux table lamp</b>	clear/gold	CL034TA-4CE00-0126S1	CL034TA-4UL00-0126S1	10kg/22lbs
<b>Flux floor lamp</b>	clear/gold	CL034FA-4CE00-0126S1	CL034FA-4UL00-0126S1	12kg/26,4lbs
<b>Flux wall sconce</b>	clear/gold	CL034WA-1CE00-0101S1	CL034WA-1UL00-0101S1	12kg/26,4lbs

**EACH LASVIT COLLECTION IS UNIQUE BECAUSE IT IS COMPLETELY HANDCRAFTED. TINY BUBBLES AND OTHER IRREGULARITIES MAY OCCUR DUE TO THE NATURE OF THE HIGH QUALITY GLASS-BLOWING TECHNIQUE**