



Description

The combination of handblown glass, handcrafted wood, and classic shaping has given rise to a light of ageless elegance. The collection comprises four different suspension lights, as striking alone as they are in sets, characterized by a handblown glass shade set upon on a handcrafted wooden body.



Tech. description The light consists of five wooden bodies with connectors and GZ10 light source sockets. It also includes lead cables with connectors (compatible with GZ10 and GU10 light sources), the glass shades, and a wood ceiling canopy.

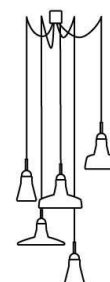
Colours options: https://brokis.sharepoint.com/:b:/s/brokis_sp/EaMzac3iv_IHlhq_ifSUVdIBIsZJnl-47bmjvUUnQJA_0w

CONSTRUCTION SPECIFICATION

Weight:	5 kg
Construction material:	glass, wood, metal
Cord length [mm]:	2,000 mm
Mounting:	Ceiling
Environment:	Indoor

DIMENSIONS [mm]

∅ 100 × 55



ELECTRICAL SPECIFICATION

Input voltage [V]:	230 V
Frequency [Hz]:	50-60 Hz
Max. power [W]:	5 x 5 W
Coverage IP:	20
Socket:	5 x GZ10
Light source:	-
Energy class:	A+ to B depending on light source

CERTIFICATIONS





CM2409 LAMPIA GU10-60°

Socket	GU10
Type	LED
Lamp wattage [W]	5 W
Input voltage [V]	220 - 240 VAC
Energy class	A+
Flux [lm]	336 lm
Light colour [K]	2700 K
CRI	90+
Lifespan [h]	25000h
Dimmable	yes
Dimensions h x w [mm]	55 x 50 mm

DATASHEET

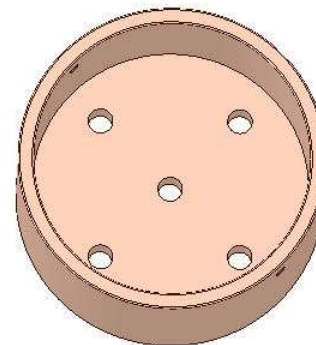
RECOMENDED CANOPY



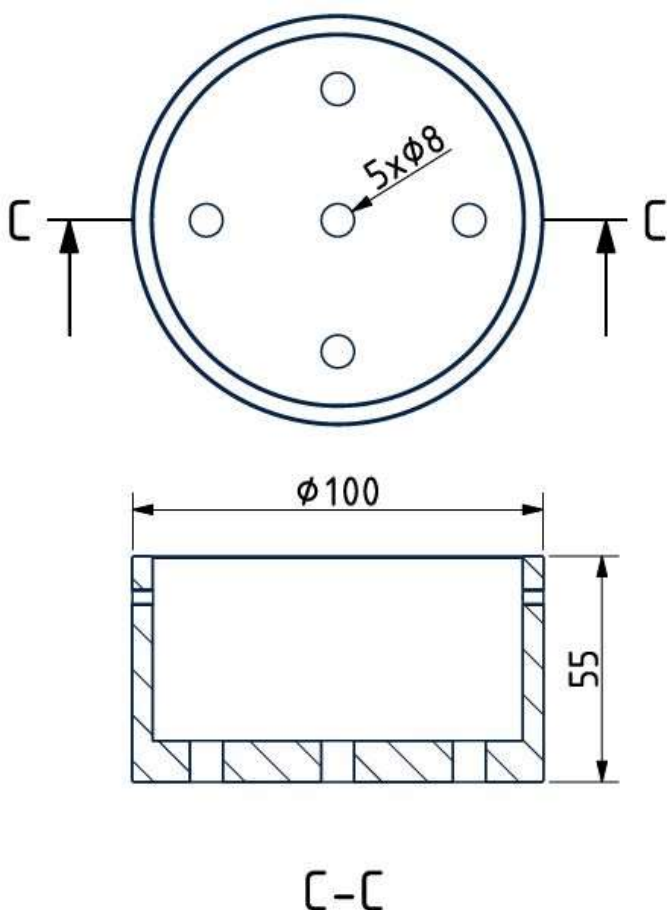
Download

CEILING CANOPY

Dimensions O x w [mm] 100 x 55 mm
Weight [kg] 0,15 kg
Material wood



Drawing



Canopy bracket

