
Colosseo

SMALL TABLES

Naoto Fukasawa



Description

Colosseo fits smoothly into the highly successful product category of accessories, furnishing elements that change function according to occasion and need, and for Colosseo this means transforming from coffee table to pouf. When designing this new product, Fukasawa arrived at the shape he was searching for by considering a solid in the form of an upside-down truncated cone, lightened by arch-shaped grooves that define the surface, creating an assonance with the structure of the famous Roman arena it is named after. Made of hard polyurethane painted in sixteen glossy colours, Colosseo is available in two sizes: 40 cm diameter x 45 cm height and 45 cm diameter x 49 cm height.

Technical information

Frame

hard polyurethane

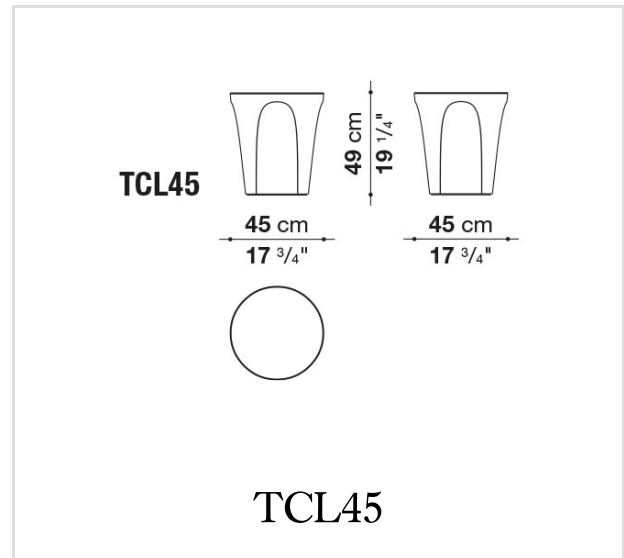
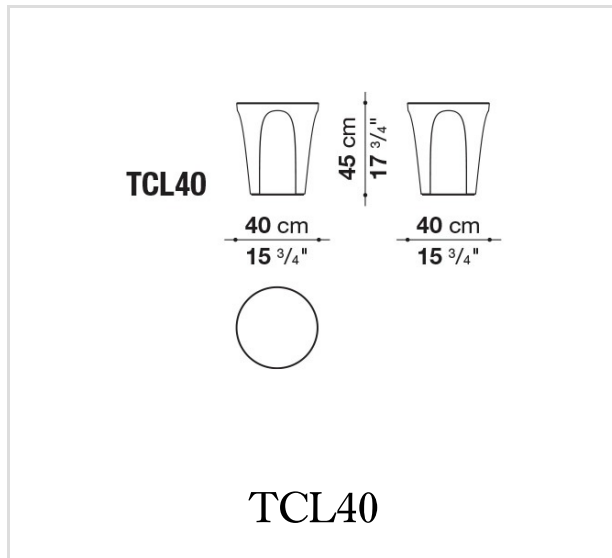
Panel

MDF wood fibre

Bottom base

felt

Technical drawings



B&B Italia reserves the right to make technological and aesthetic improvements to its models, including changes to the sizes and materials, without notice. The technical drawings do not define the details of the product. The measurements shown are indicative and may undergo changes. In particular, the dimensions relevant to the padded parts are subject to usage tolerances over time caused by the normal adjustment of the padding. For the specific information, please contact the dealer closest to you.