
Febo

BEDS

Antonio Citterio



Description

The bed version of Febo is available in six different sizes with an elegant headboard and the added comfort of two back cushions. For all elements are available the same characteristic of the collection: the single material and the visible blanket stitch.

Technical information

Internal frame:

tubular steel and steel profiles

Internal frame upholstery:

Bayfit® (Bayer®) flexible cold shaped polyurethane foam, polyester fibre cover

Back cushion (LFB60):

upholstery : down feather + polyester fibre, typology : pillow style

Slatted base:

tubular steel and beechwood multilayer slats

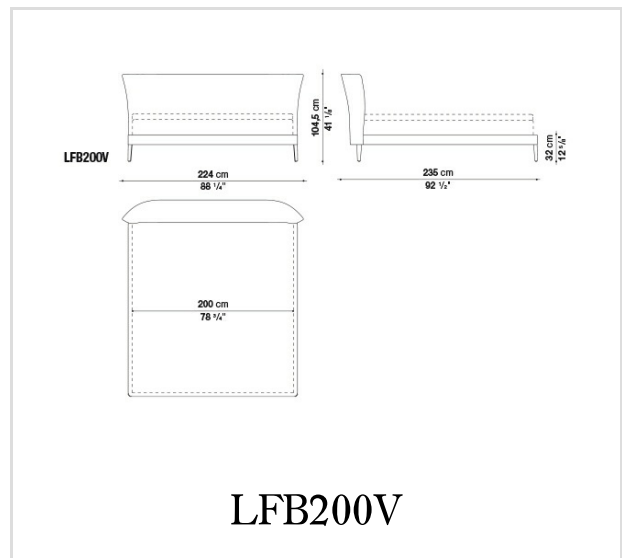
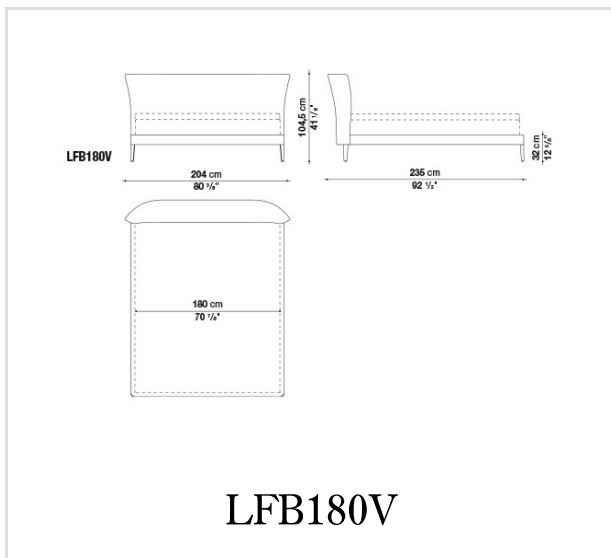
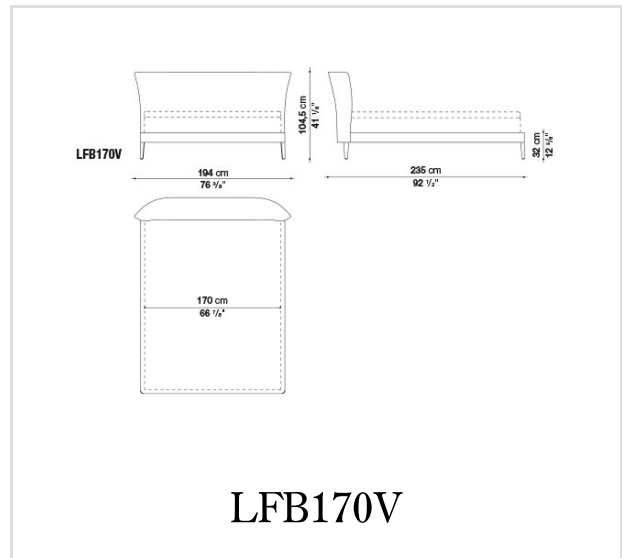
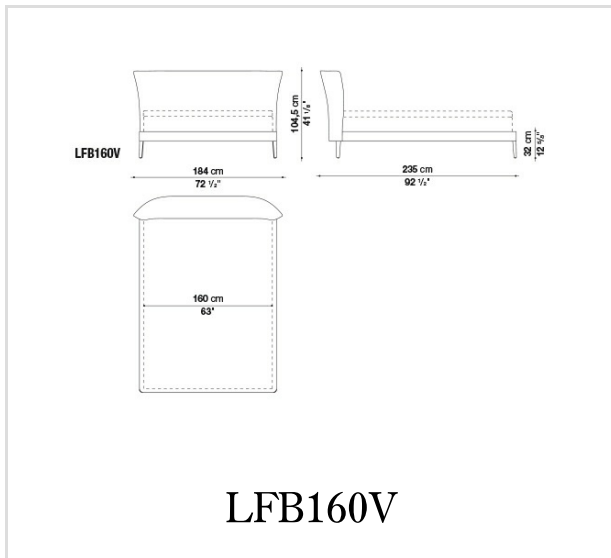
Ferrules:

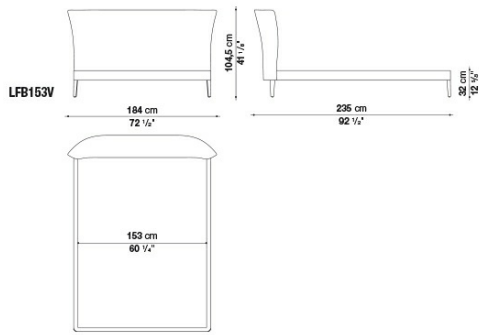
thermoplastic material

Cover:

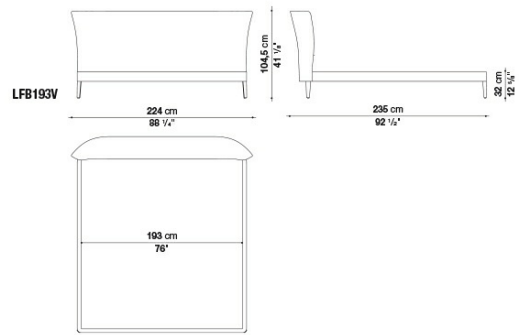
fabric or leather (blanket stitch)

Technical drawings

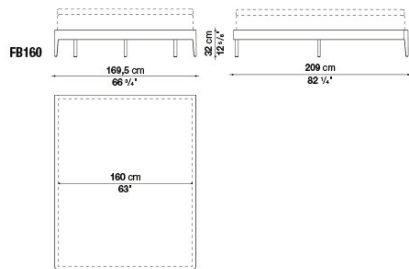




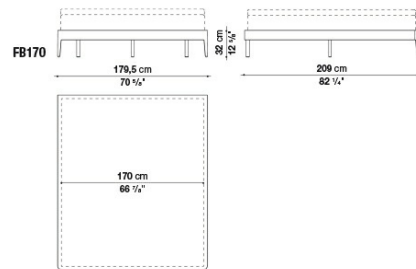
LFB153V



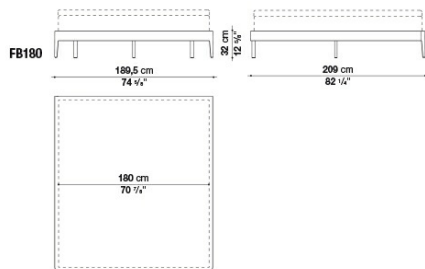
LFB193V



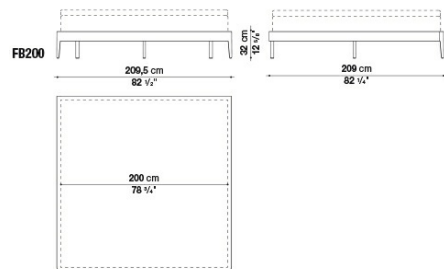
FB160



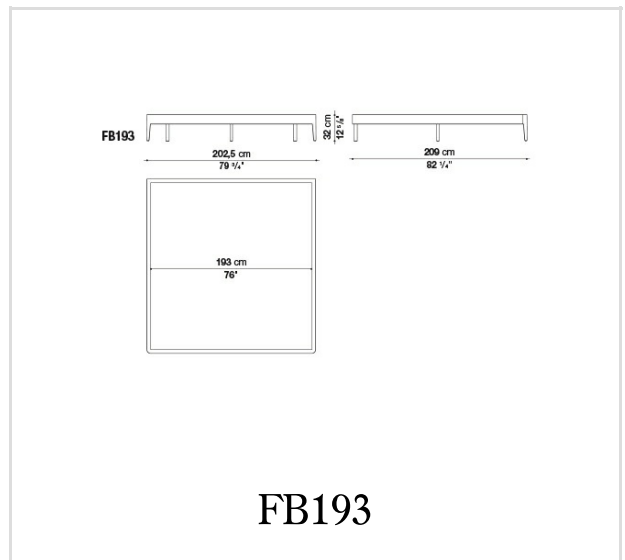
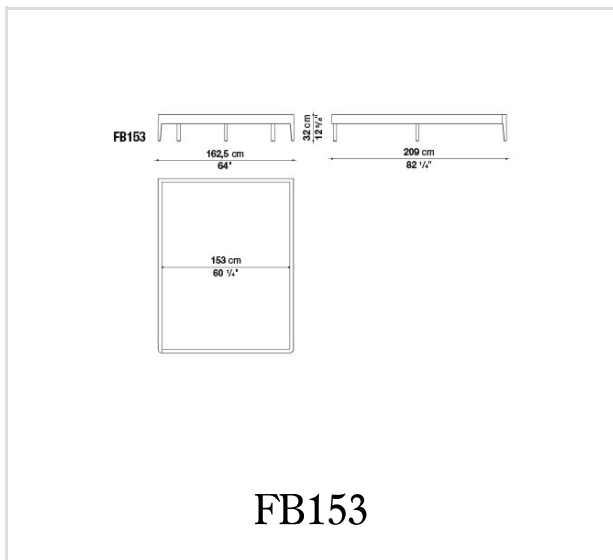
FB170



FB180



FB200



B&B Italia reserves the right to make technological and aesthetic improvements to its models, including changes to the sizes and materials, without notice. The technical drawings do not define the details of the product. The measurements shown are indicative and may undergo changes. In particular, the dimensions relevant to the padded parts are subject to usage tolerances over time caused by the normal adjustment of the padding. For the specific information, please contact the dealer closest to you.